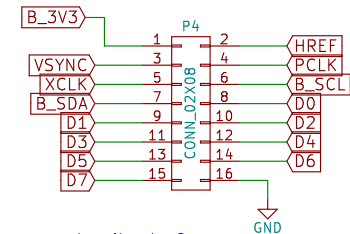
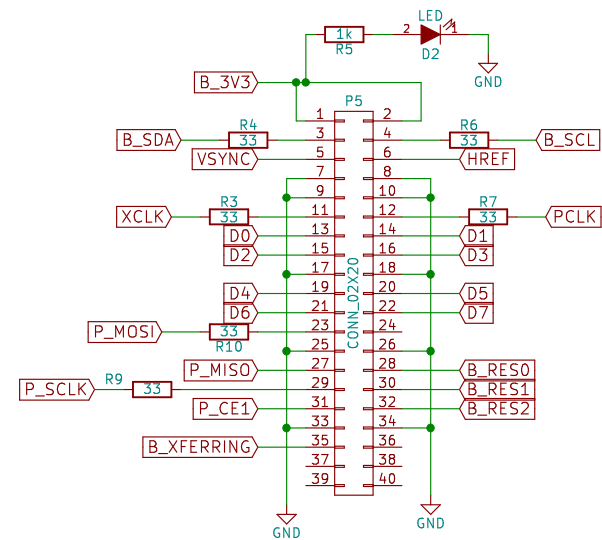
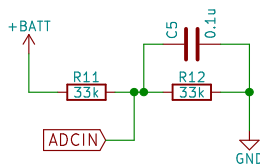
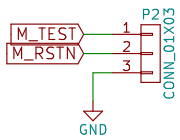
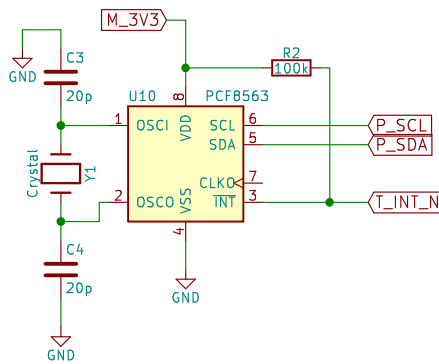
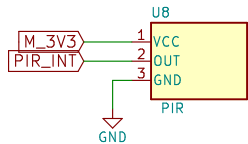
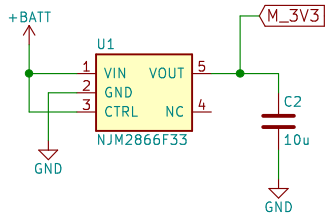
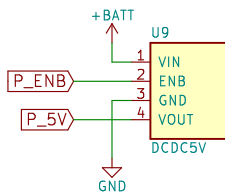
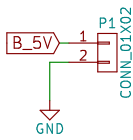
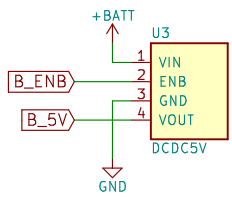


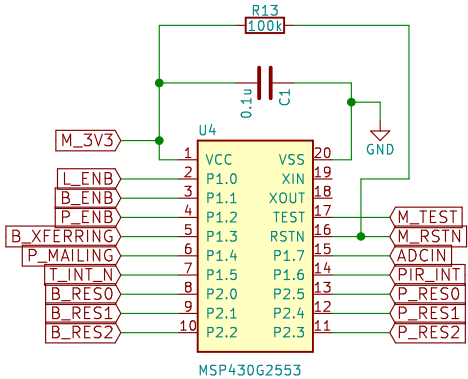
to Raspberry Pi



to aitendo Camera



to Bemicro MAX10



MSP430G2553

Power Saving Camera System

designed by Toshio Iwata at digitalfilter.com

Sheet: /
File: PSCAM.sch

Title: PSCAM02

Size: A4 Date: 2016/08/23

KiCad E.D.A. kicad 4.0.2-stable

Rev: 1.0

Id: 1/1