

DCDCs
DCDCs.sch

FpgaPwr
FpgaPwr.sch

SDRAM
SDRAM.sch

PinHeaders
PinHeaders.sch

PushSws
PushSws.sch

ADCs
ADCs.sch

Replacated BeMicro MAX10
digitalfilter.com

Sheet: /
File: BMMODOKI.sch

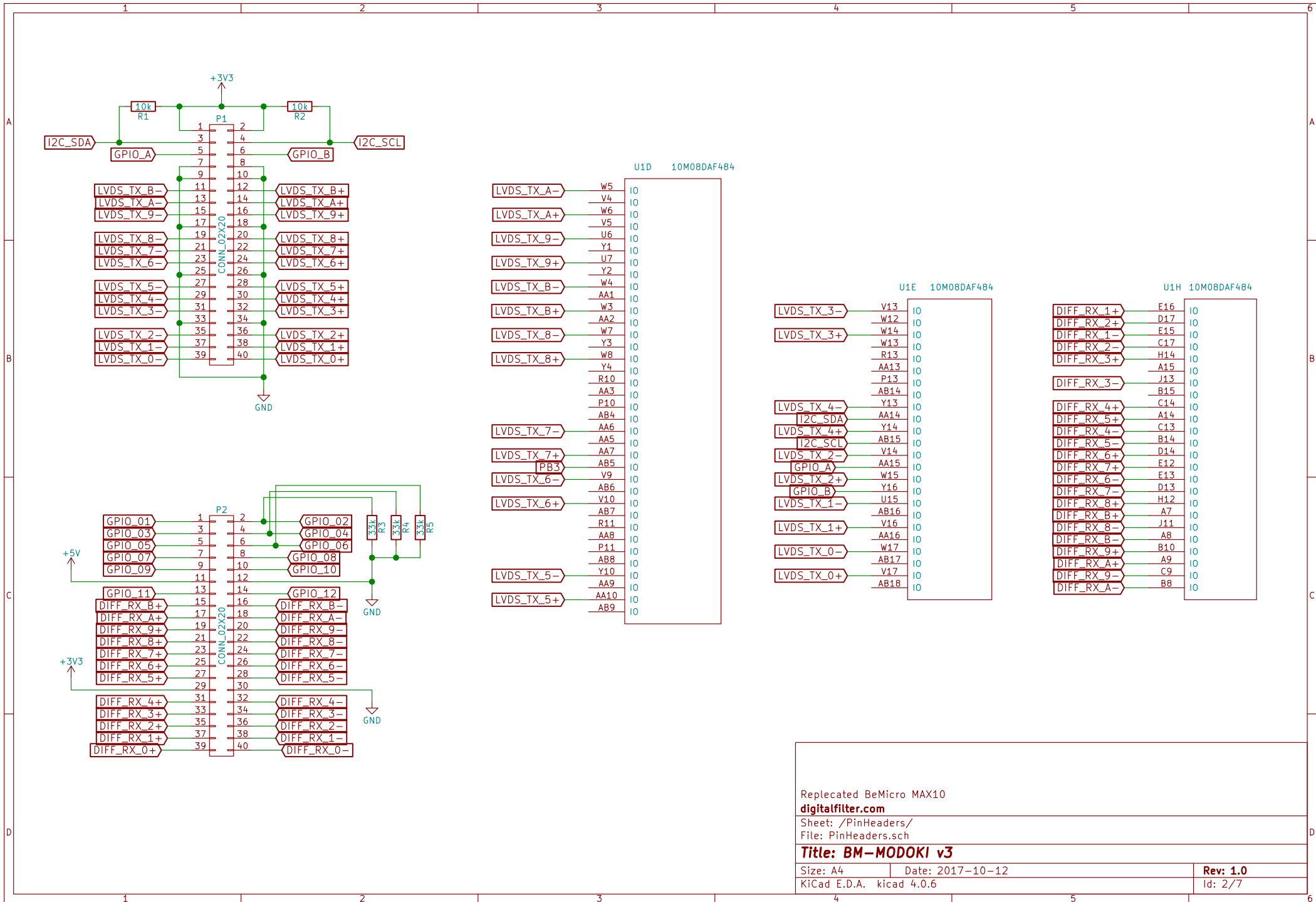
Title: BM-MODOKI v3

Size: A4 Date: 2017-10-12

KiCad E.D.A. kicad 4.0.6

Rev: 1.0

Id: 1/7



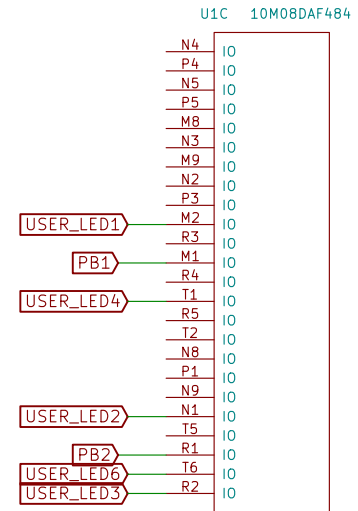
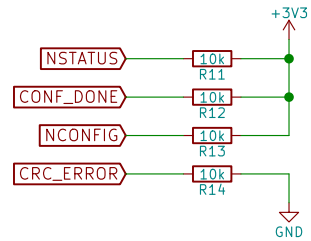
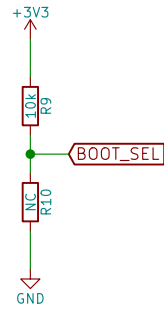
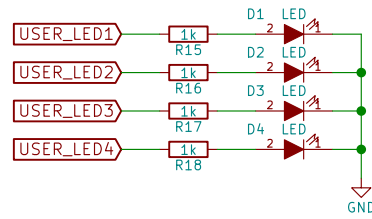
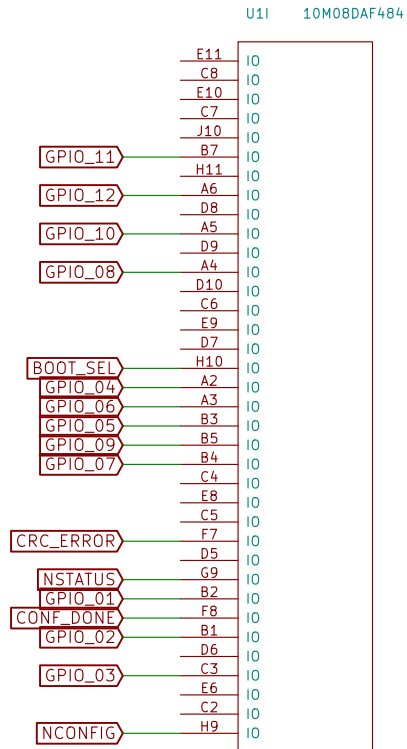
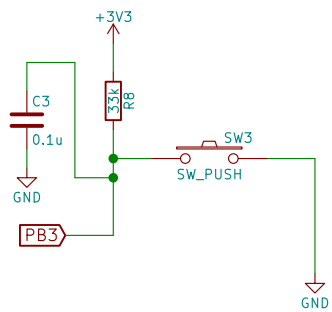
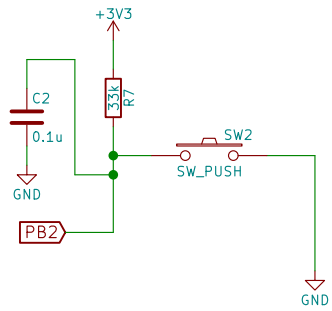
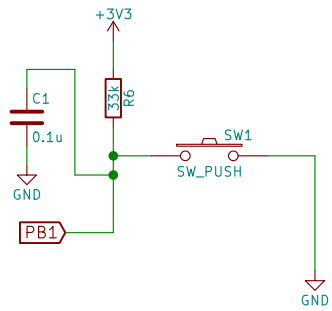
Replaced BeMicro MAX10
digitalfilter.com

Sheet: /PinHeaders/
 File: PinHeaders.sch

Title: BM-MODOKI v3

Size: A4 | Date: 2017-10-12
 KiCad E.D.A. kicad 4.0.6

Rev: 1.0
 Id: 2/7



Replacated BeMicro MAX10
digitalfilter.com

Sheet: /PushSws/
 File: PushSws.sch

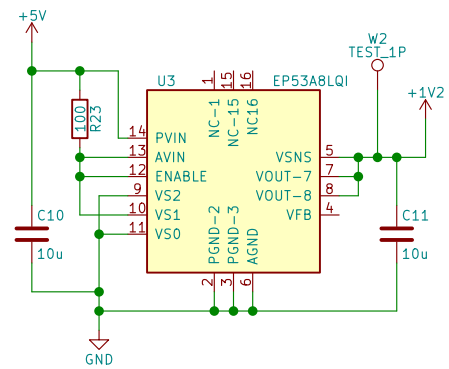
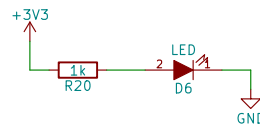
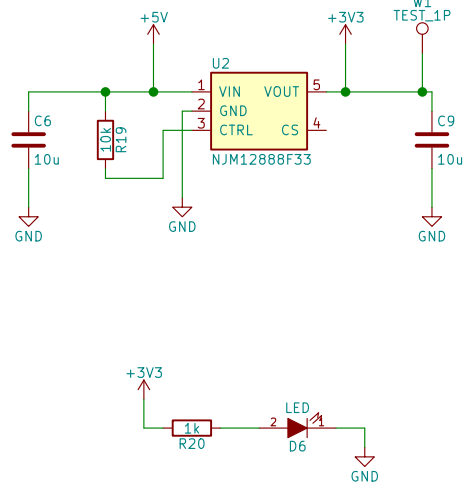
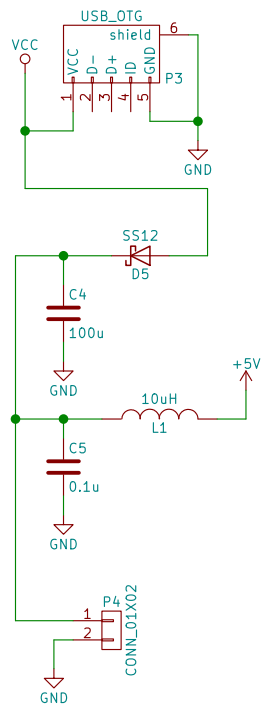
Title: BM-MODOKI v3

Size: A4 Date: 2017-10-12

KiCad E.D.A. kicad 4.0.6

Rev: 1.0

Id: 3/7



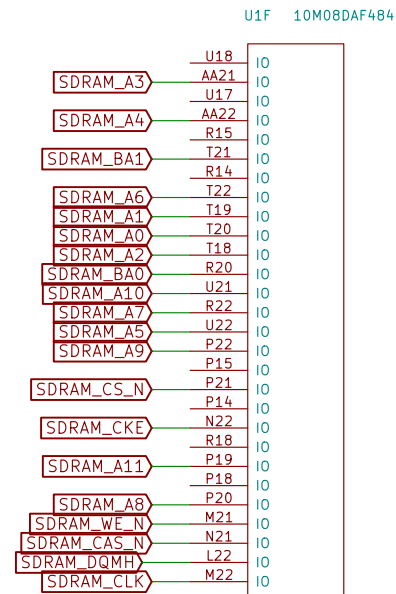
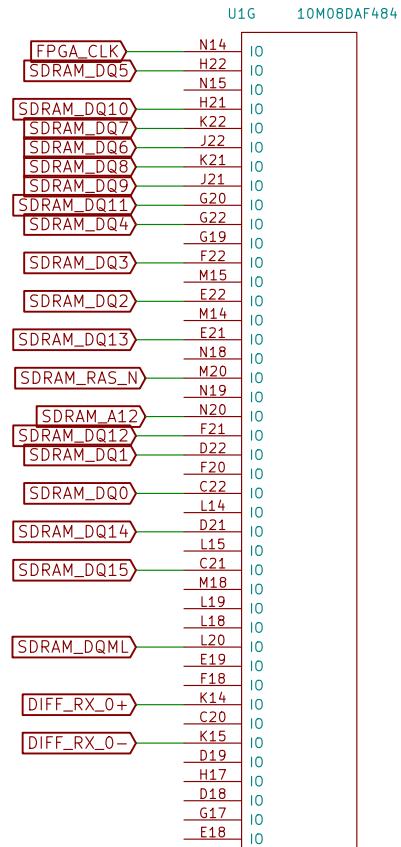
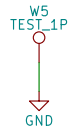
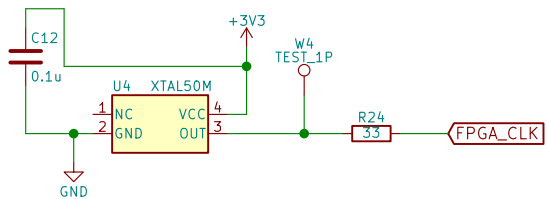
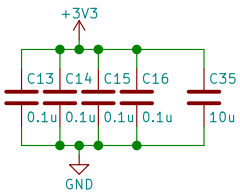
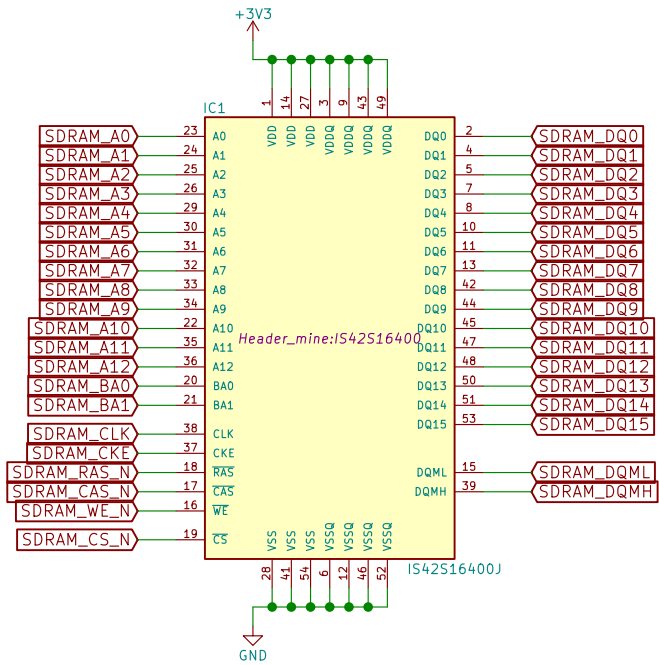
Replacated BeMicro MAX10
digitalfilter.com

Sheet: /DCDCs/
 File: DCDCs.sch

Title: BM-MODOKI v3

Size: A4 Date: 2017-10-12
 KiCad E.D.A. kicad 4.0.6

Rev: 1.0
 Id: 4/77



Replaced BeMicro MAX10

digitalfilter.com

Sheet: /SDRAM/

File: SDRAM.sch

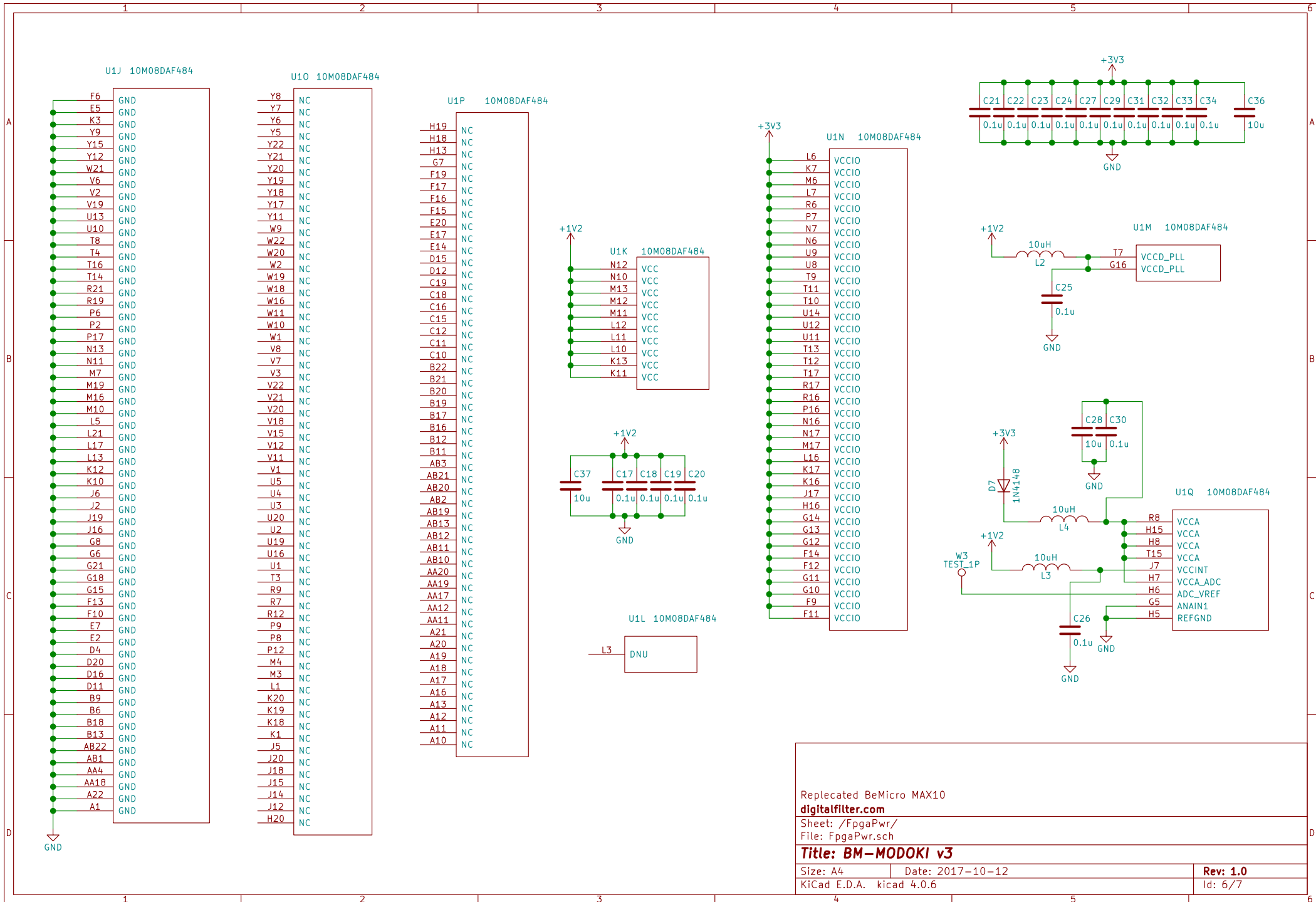
Title: BM-MODOKI v3

Size: A4 Date: 2017-10-12

KiCad E.D.A. kicad 4.0.6

Rev: 1.0

Id: 5/77



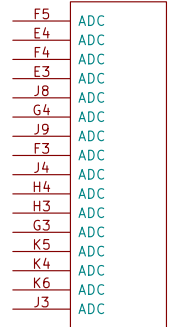
Replaced BeMicro MAX10
digitalfilter.com

Sheet: /FpgaPwr/
 File: FpgaPwr.sch

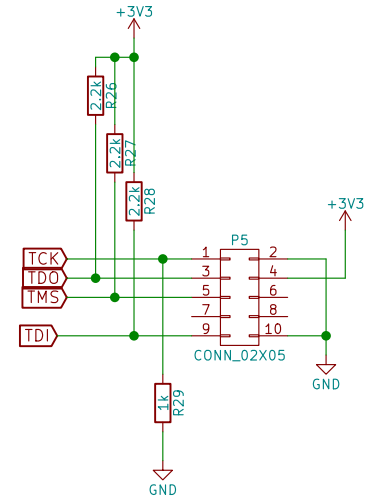
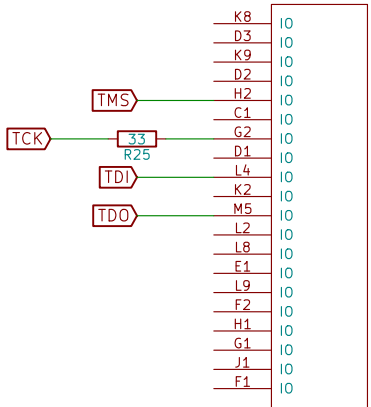
Title: BM-MODOKI v3

Size: A4	Date: 2017-10-12	Rev: 1.0
KiCad E.D.A. kicad 4.0.6		Id: 6/77

U1A 10M08DAF484



U1B 10M08DAF484



Replacated BeMicro MAX10
digitalfilter.com

Sheet: /ADCs/
File: ADCs.sch

Title: BM-MODOKI v3

Size: A4 Date: 2017-10-12

KiCad E.D.A. kicad 4.0.6

Rev: 1.0

Id: 7/7