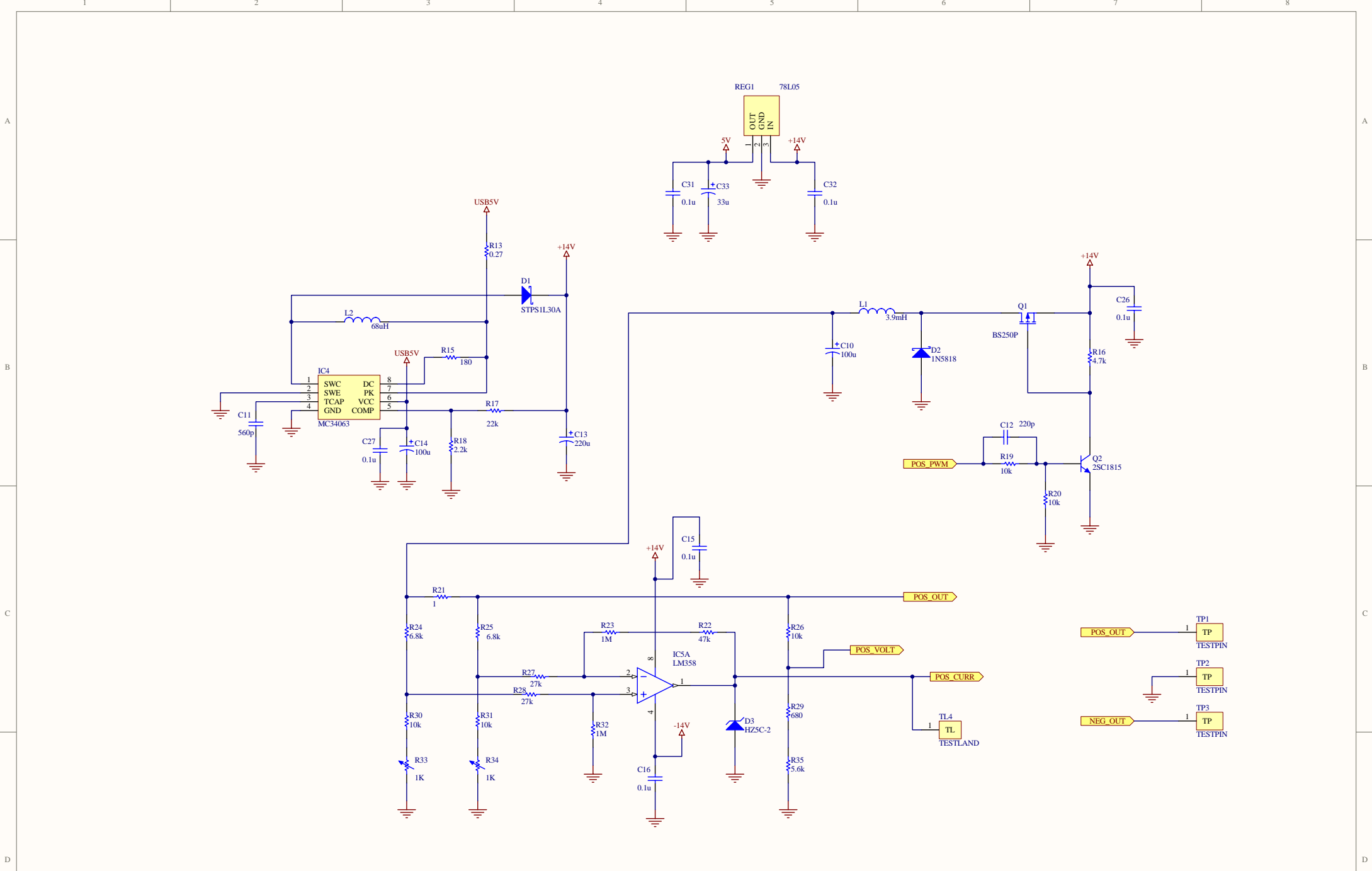
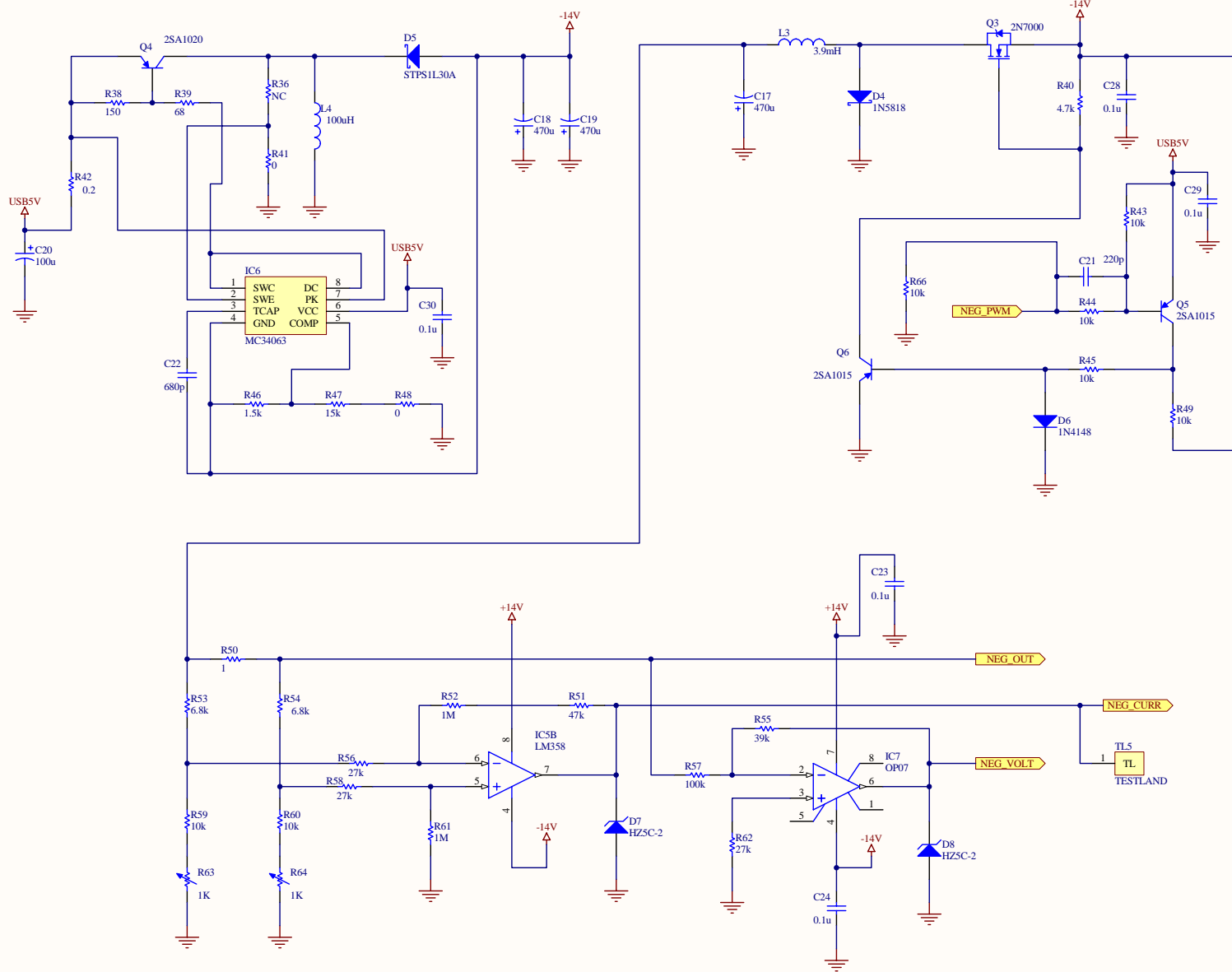


Title		
USBPWR2		
Size	Number	Revision
A3	PIC Peripherals	1.0
Date:	06/7/4 (Wed)	Sheet of 1 / 3
File:	C:\ProtelWorks\...\Sheet1.SchDoc	Drawn By: DIGITALFILTER.COM



Title		USBPWR2	
Size	Number	Revision	
A3	Positive Power	1.0	
Date:	06/7/4 (%d)	Sheet of	2 / 3
File:	C:\Protel\Works\...\Sheet2.SchDoc	Drawn By:	DIGITALFILTER.COM



Title		USBPWR2	
Size	Number	Revision	
A3	Negative Power	1.0	
Date:	06/7/4 (%d)	Sheet of 3 / 3	
File:	C:\ProtelWorks\...\Sheet3.SchDoc	Drawn ByDIGITALFILTER.COM	